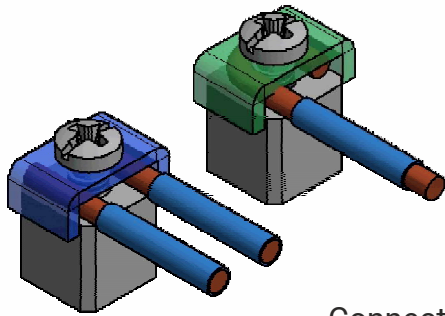


Terminal Clamps for Conductor Connections

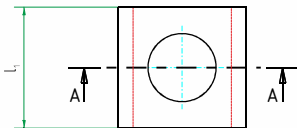
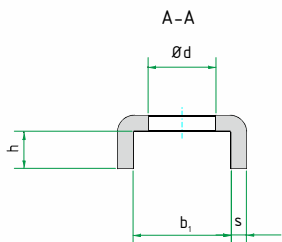
Standard or we also manufacture according to your specifications.



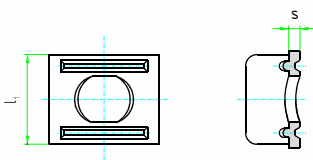
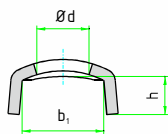


Connection of a single* conductor with clamp up to maximum of 10mm²

Connection of two conductors of approximately the same thickness with clamp up to a maximum of 25mm²



Special shape



Product Overview							
Nominal Size	b ₁	ød	h	l ₁	s	Shape	Screw
1	6,4	3,6	2,2	6	1	C	M3
	7	3,4	2,5	6	1	E	
	7	3,4	4,5	6	1	G	
2	8,5	3,9	3	7	1,2	E	M3,5
3	8,4	4,5	2,5	8	1,2	C	M4
	10,5	4,5	3,5	8	1,5(1,8)	E	
	10,5	4,5	5,5	8	1,5(1,8)	G	
Special shape	7,2	4,6	3	8	1	S	
4	10,5	5,5	2,5	10	1,5	C	M5
	12,5	5,5	4	10	1,8	E	
	12,5	5,5	6,5	10	1,8	G	
7	12,5	7	3,5	12	1,8	C	M6
	20,5	6,6	6,5	14	2	E	
	20,5	6,6	9	14	2	G	

*In the case of connection terminals with clamps (e.g. according to DIN 46282), the conductors must be distributed in such a way that the clamping height is approximately the same on both sides. This type of connection therefore requires that a single conductor must be bent into a U-shape or connected with a cable lug.

Please contact us, we will be happy to advise you individually: