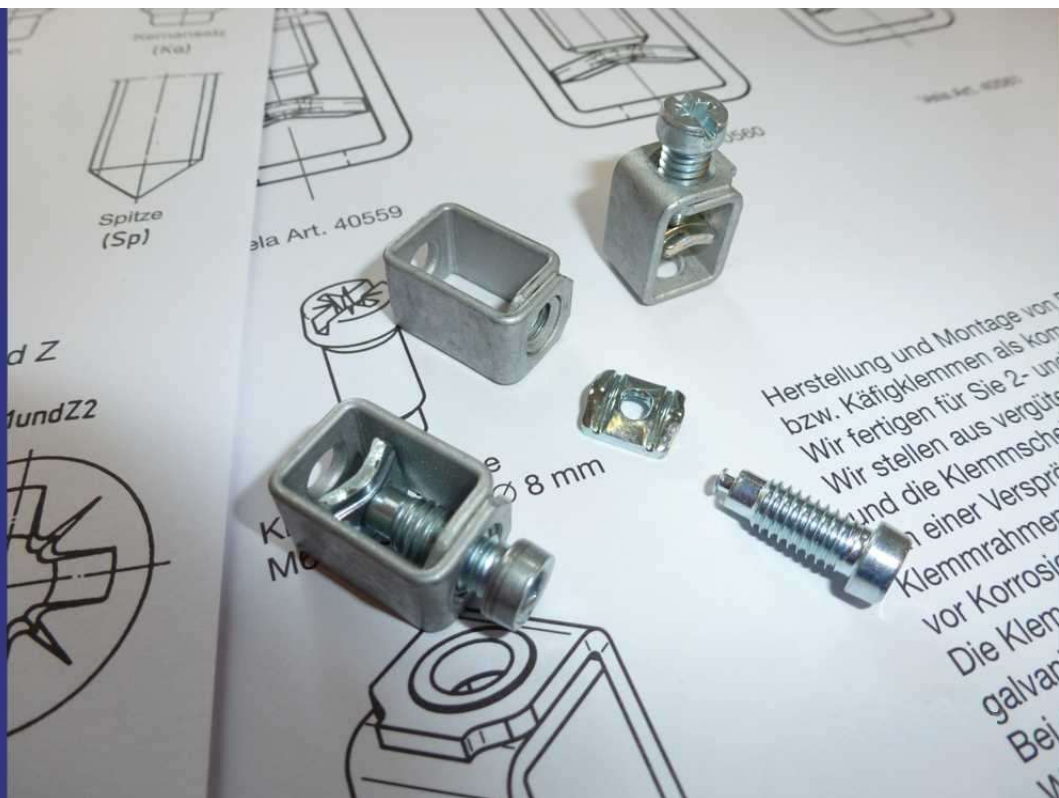


Box Terminals

According to standard or we also manufacture according to your specifications.



Manufacturing and assembly of box terminals or cage clamps.

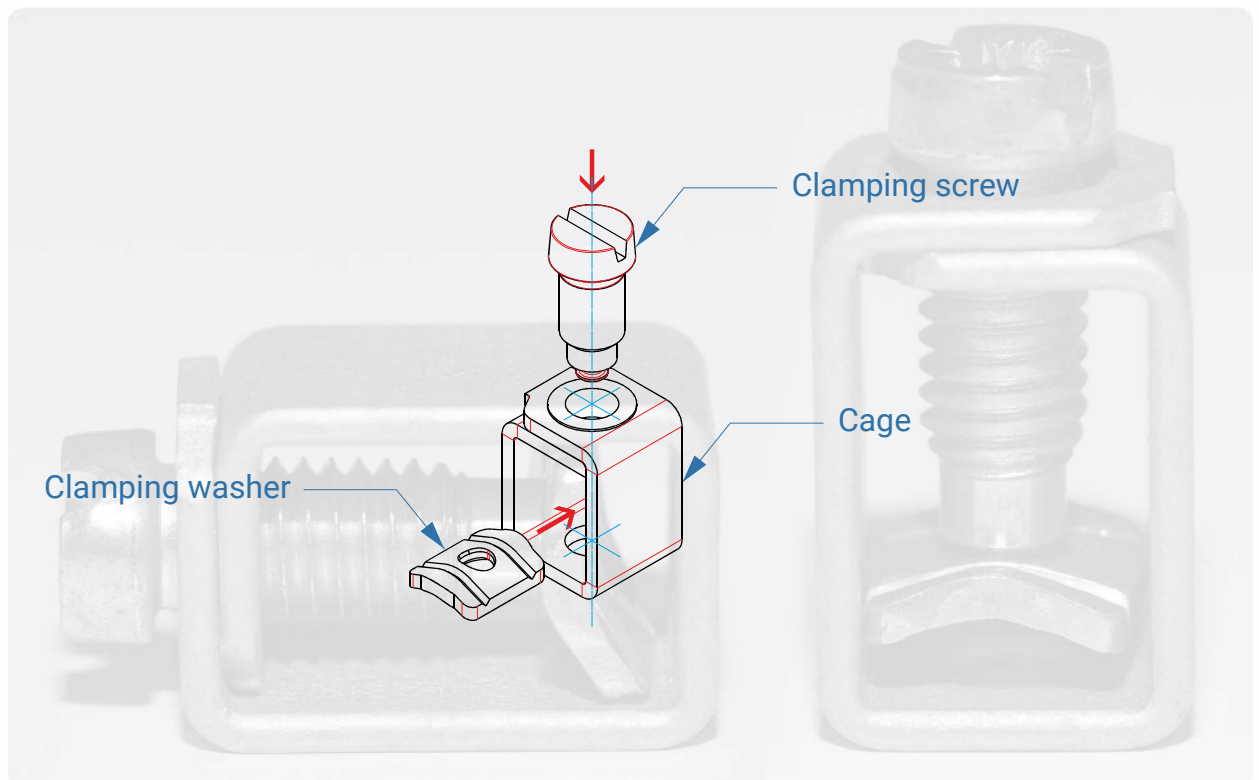
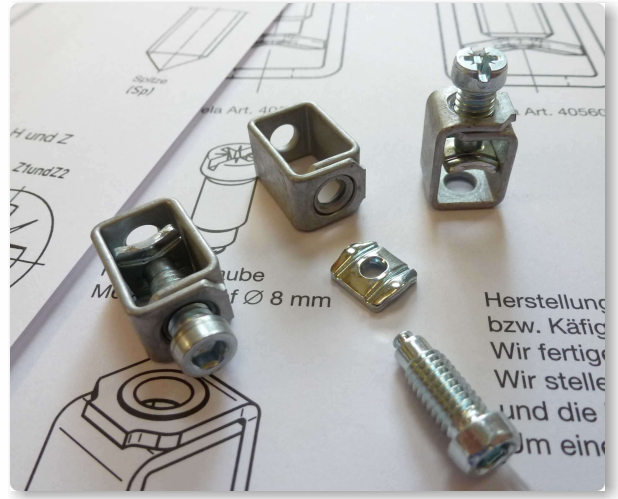
We manufacture two-part and three-part box terminals.

We manufacture the clamping frame as well as clamping washer from tempered spring steel and according to your requirements.

To prevent hydrogen embrittlement, the clamping frames are protected against corrosion by means of a zinc flake coating.

The clamping washers and screws can be manufactured with any electroplated surface.

Tempered materials are usually used for the screws.



Please contact us, we will be happy to advise you individually: